

Barrier Guard Parts Identification



Guard-Safe Guarding

Ph.: 712-754-4838

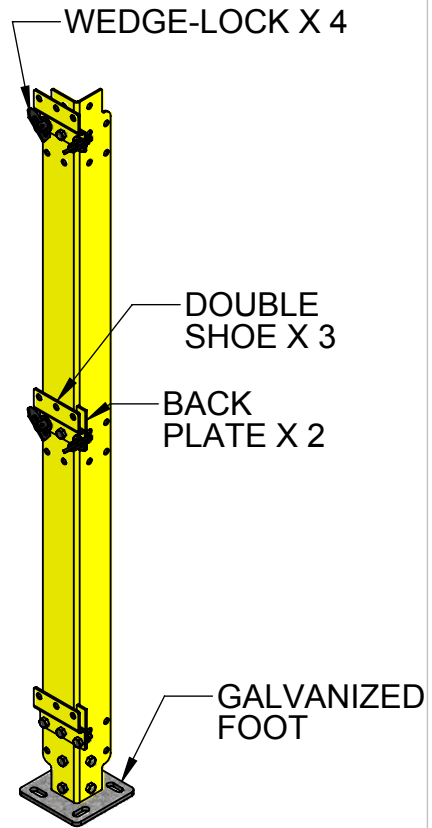
Fax: 712-754-2033

sales@guardsafeguarding.com

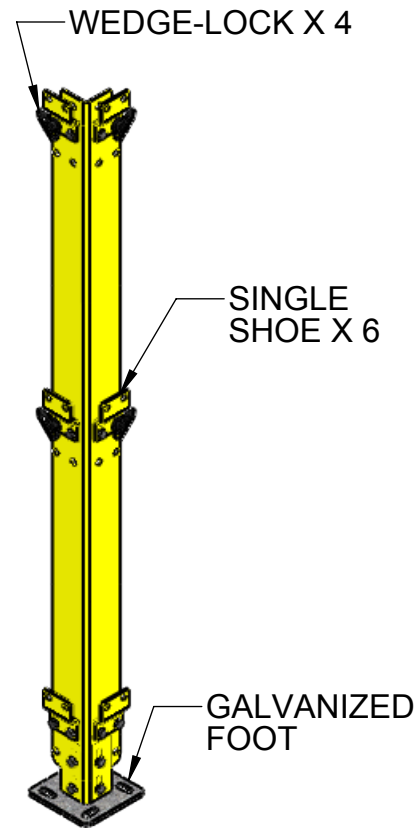
www.guardsafeguarding.com

FEET ARE HOT-DIPPED GALVANIZED; ALL OTHER COMPONENTS ARE POWDER COAT SAFETY YELLOW [OSHA 1910.144(a)(3); ANSI Z 535-1]

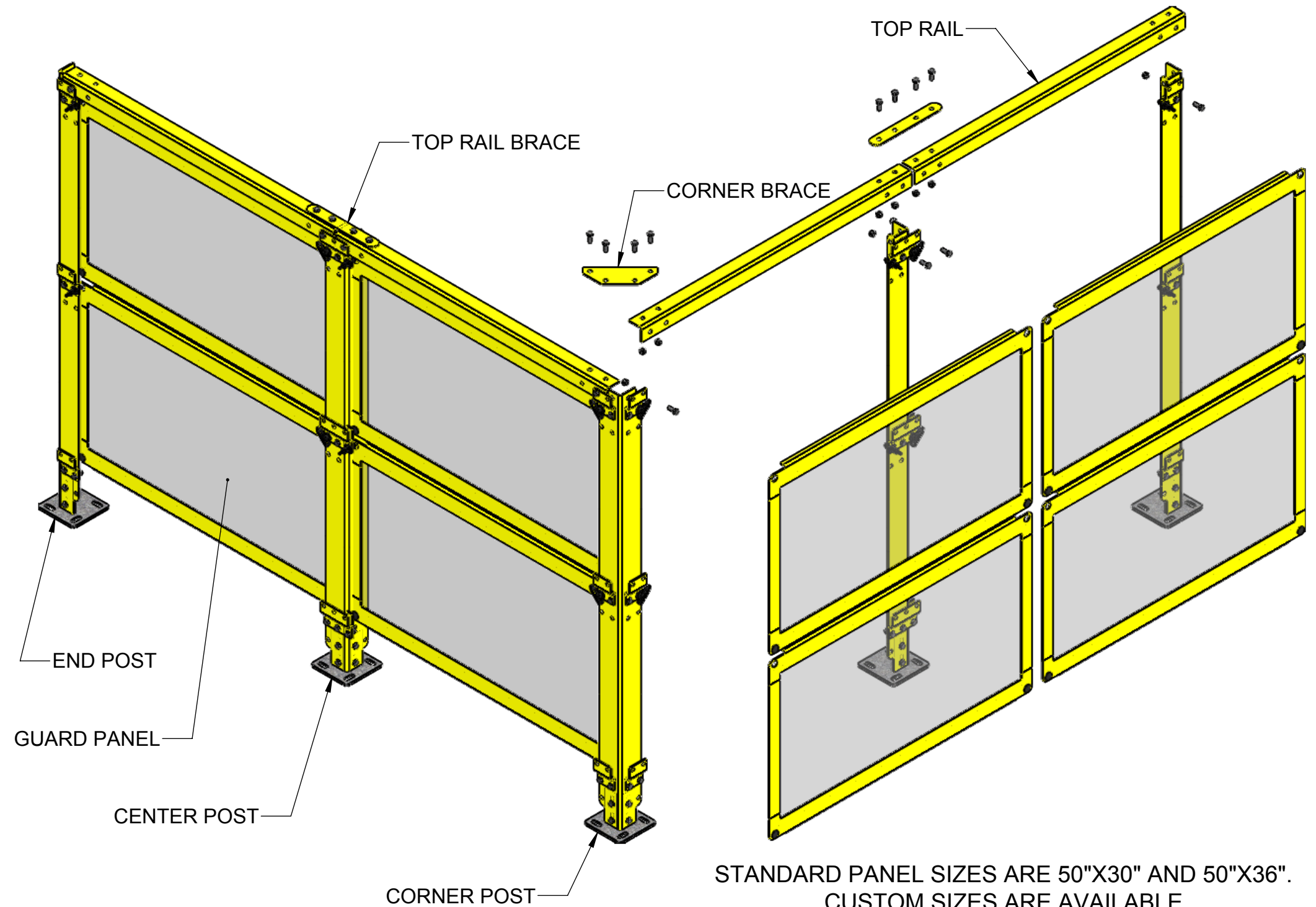
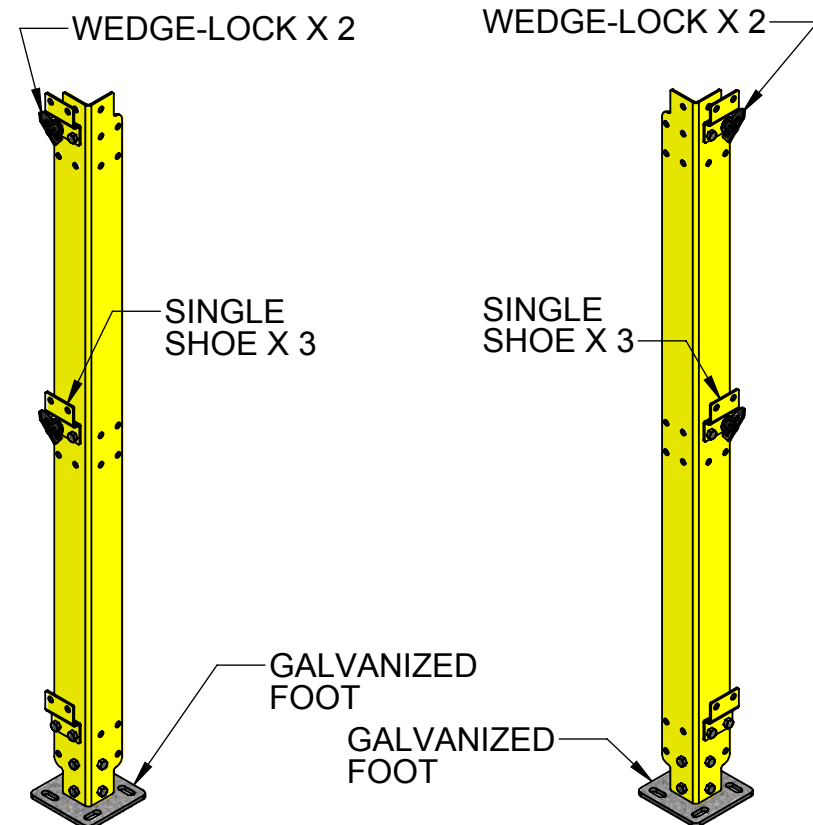
CENTER POST



CORNER POST



END POST



STANDARD PANEL SIZES ARE 50"X30" AND 50"X36".
CUSTOM SIZES ARE AVAILABLE.

STANDARD POST HEIGHTS ARE 81", 72", 57", AND 48".
CUSTOM HEIGHTS ARE AVAILABLE.

*TESTED TO WITHSTAND 800 LBS. LATERAL FORCE
WHEN ANCHORED TO CONCRETE.