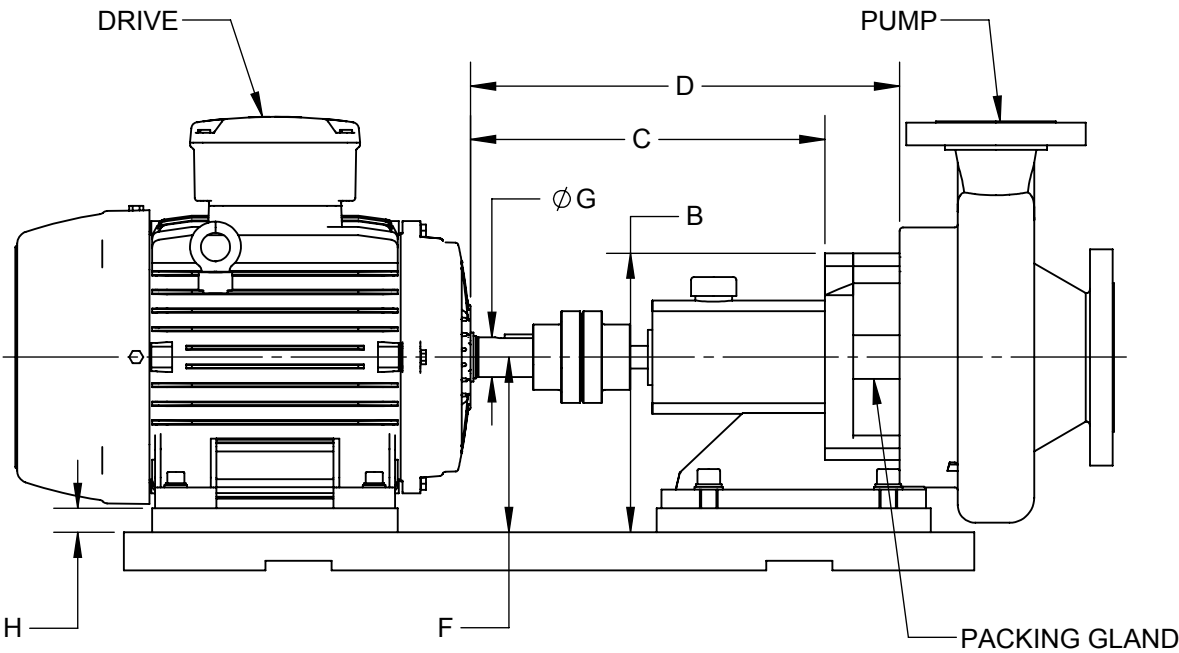
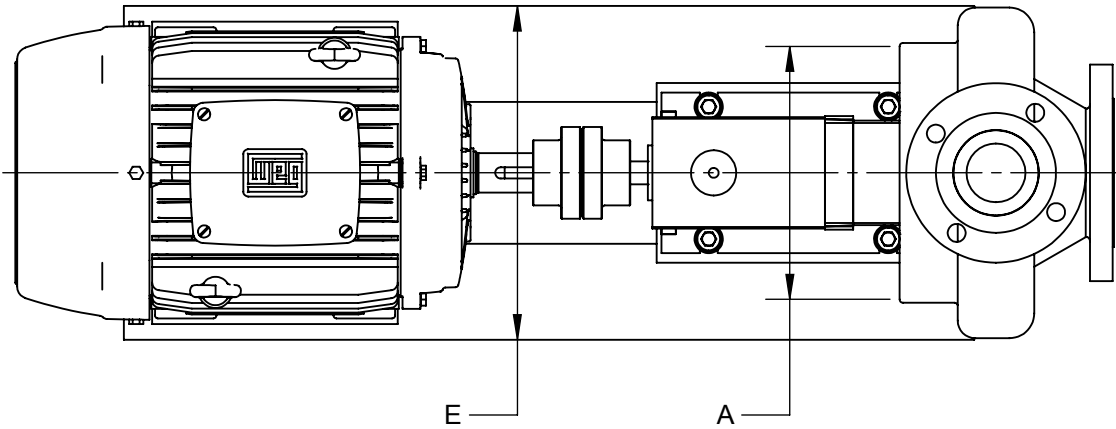


Pump Coupling Guard Data Sheet



Required Dimensions		Value (in.)
A	Minimum Width of Guard	
B	Minimum Height of Guard	
C	Distance b/t Drive / Start of Packing Gland Opening	
D	Distance b/t Drive / End of Packing Gland Opening	
E	Support Frame Width	
F	Shaft Height	
G	Shaft Diameter	
H	Drive Base Plate Height	

Other Requirements

Drive NEMA Frame/HP

Support Frame Construction/Notes

Other Notes:

Any restrictions/interferences can be sketched on the views on the left marked up with corresponding dimensions.



Guard-Safe Guarding
Sibley, IA

Ph.: 712-754-4838
Fax: 712-754-2033
www.guardsafeguarding.com
sales@guardsafeguarding.com

Company:

Contact Name:

Phone No.:

Email:

Location/Equipment No.